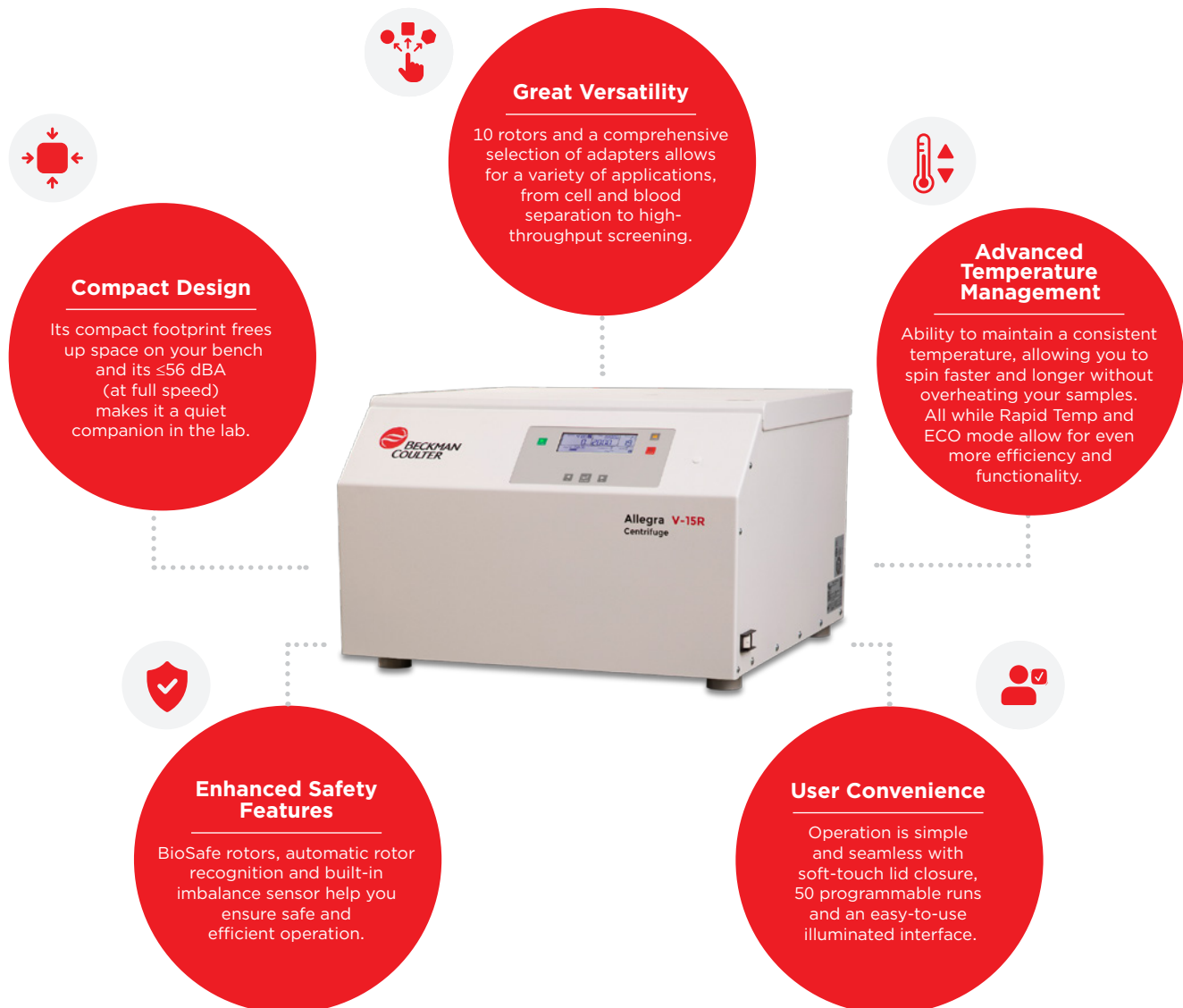




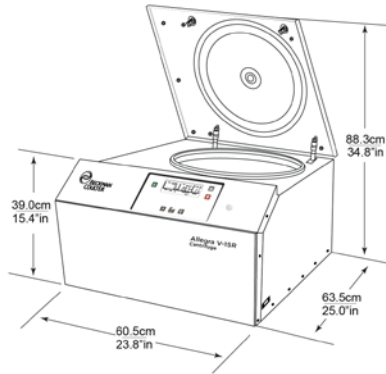
## Allegra V-15R Benchtop Centrifuge

The Allegra V-15R benchtop centrifuge brings more versatility to your bench. This compact, refrigerated centrifuge is ideal for evolving labs looking to:

- Free up precious benchtop space
- Support multiple workflows with just one instrument



## SPECIFICATIONS



Feature	Allegra V-15R Benchtop Centrifuge	
Max RCF	20,412 x g	
Fixed Angle	20,412 x g	
Swinging Bucket (120 V / 240 V)	4,264 x g / 4,651 x g	
Plates (120 V / 240 V)	4,932 x g / 5,495 x g	
Max. RCF	13,500 rpm	
Capacity	4 x 750 mL / 60 x 15 mL / 28 x 50 mL / 4 x 4 plates	
Acceleration / Deceleration	10 / 10	
Number of Programs	50	
Temperature Range	-10 to 40° C	
Refrigerant	CFC-Free R452A	
Noise Level	≤56 dBA at max speed	
Dimensions	39 x 60.5 x 63.5 cm / 15.4 x 23.8 x 25 in (H x W x D)	
<b>Ordering Information</b>	<b>General Use<sup>1</sup></b>	<b>IVD<sup>2</sup></b>
220 - 240V 50 Hz	C63126	C63127
200V 50/60Hz, 208V 60Hz	C63128	C63129
120V 60Hz	C63124	C63125
220 - 240V 50Hz with CCC Plug	C63161	C63190

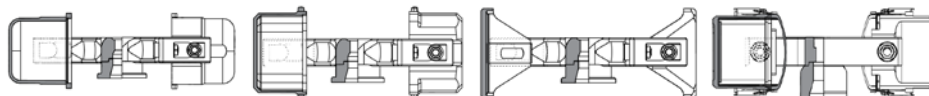
### Mobile Cart for Allegra V-15R

Cart Dimensions	58.1 x 60.5 x 63.5 cm / 22.9 x 23.8 x 25 in (H x W x D)
Cart with Centrifuge Dimensions	97.1 x 60.5 x 63.5 cm / 30.2 x 23.0 x 25 in (H x W x D)
<b>Ordering Information</b>	<b>Description</b>
Order No.	C63177



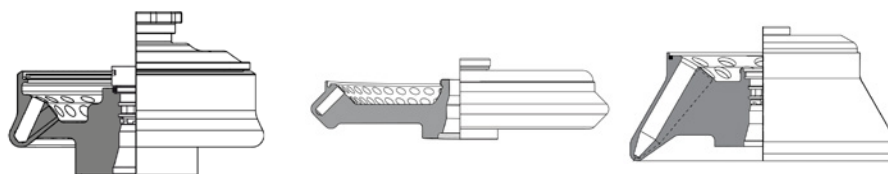
<sup>1</sup> General use. Not intended or validated for use in the diagnosis of disease or other conditions.  
<sup>2</sup> In Vitro Diagnostics Use.

## SWINGING-BUCKET ROTORS

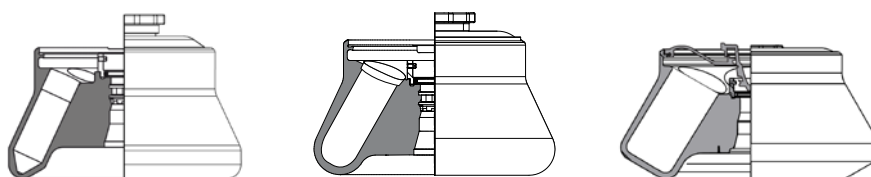


Feature	VS 4.750	VS 4.750-HEX	VS 4.750-96	VS 2.5-96
<b>Order Number</b>	C63142	C63143	C63144	C63145
Max RCF (120V / 200-240V)	4,264 / 4,651 x g	3,748 / 4,478 x g	3,561 / 3,884 x g	4,932 / 5,495 x g
Max Speed (120V / 200-240V)	4,500 / 4,700	4,300 / 4,700	4,500 / 4,700	5,400 / 5,700
Capacity	4 x 750 mL	4 x 25 x 10 mL	4 x 4 x 28.8 mL	2 x 5 x 28.8 mL
BioSafe	Yes <b>BIOC</b> (Optional Acc. C63153)			Yes <b>BIOC</b>
750 mL Bottle	4			
500 mL Bottle	4			
500 mL Conical Bottle	4			
250 mL Bottle	4			
250 mL Conical Bottle	4			
200 - 230 mL Conical Bottle	4			
100 mL Bottle	8			
50 mL Tube	28			
50 mL Conical Tube	28			
50 mL Skirted Tube	20			
30 mL Skirted Tube	28			
15 mL Conical Tube	60			
10 mL Blood Tube (17.5 mm)	76	100		
10 mL Blood Tube (16.5 mm)	80			
7 mL Blood Tube (13.8 mm)	92	144		
5 mL Blood Tube (12.8 mm)	148			
1.5 / 2 mL Microtube	104			
Microplate / Deep Well Plate			16 / 4	10 / 2

## FIXED-ANGLE ROTORS



Feature	VF 48.2	VF 100.2	VFC 24.15
Order Number	C63136	C63137	C63138
Max RCF	20,412 x <i>g</i>	7,713 x <i>g</i> (Outer Row) 7,145 x <i>g</i> (Inner Row)	11,431 x <i>g</i>
Max Speed	13,500	6,500	9,000
<i>k</i> Factor	418 (Outer Row) 598 (Inner Row)	1,309 (Outer Row) 1,426 (Inner Row)	2,165 (Outer Row) 2,950 (Inner Row)
Capacity	48 x 2 mL	100 x 2 mL	24 x 15 mL
BioSafe	Yes <b>BIOC</b>		
15 mL Conical Tubes			24
1.5 / 2 mL Microtube	48	100	



Feature	VFC 8.50	VF 6.94	VF 6.250
Order Number	C63139	C63140	C63141
Max RCF	15,032 x <i>g</i>	11,872 x <i>g</i>	4,824 x <i>g</i>
Max Speed	11,360	10,000	5,450
<i>k</i> Factor	1,731	2,803	11,185
Capacity	8 x 50 mL	6 x 94 mL	6 x 250 mL
BioSafe	Yes <b>BIOC</b>	Yes <b>BIOC</b>	Yes <b>BIOC</b>
250 mL Bottle			6
94 mL Bottle		6	
85 mL Bottle		6	
50 mL Tube	8	6	6
50 mL Conical Tube	8	6	6
30 mL Skirted Tube	8		
15 mL Conical Tube	8	6	24
10 mL Tube		6	
1.5 / 2 mL Microtube		36	54

BioSafe and BioSafety are terms intended to describe the enhanced biocontainment features of our products. BioCertified is a term used to describe our products which have been tested and validated to demonstrate containment of microbiological aerosols by an independent, third-party facility (TÜV NORD CERT GmbH, Große Bahnstraße 31, D-22525 Hamburg, Germany, or Public Health England, Porton Down, UK). Improper use or maintenance may affect seal integrity and, thus, containment.

© 2022 Beckman Coulter, Inc. All rights reserved. Beckman Coulter, the stylized logo, and the Beckman Coulter product and service marks mentioned herein are trademarks or registered trademarks of Beckman Coulter, Inc. in the United States and other countries. All other trademarks are the property of their respective owners.



Australian Distributors:

**FISHER BIOTEC AUSTRALIA**

Free Call: 1800 066 077

Email: [info@fisherbiotec.com](mailto:info@fisherbiotec.com)

web: [www.fisherbiotec.com](http://www.fisherbiotec.com)